

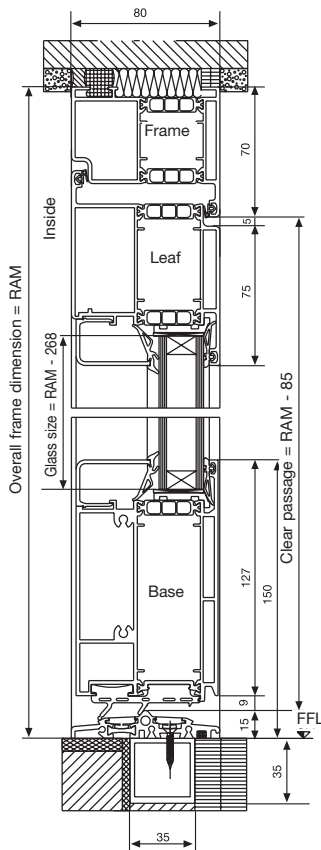
Aluminium Front Doors TopComfort and TopPrestige

Front doors fast-track range

Product Description



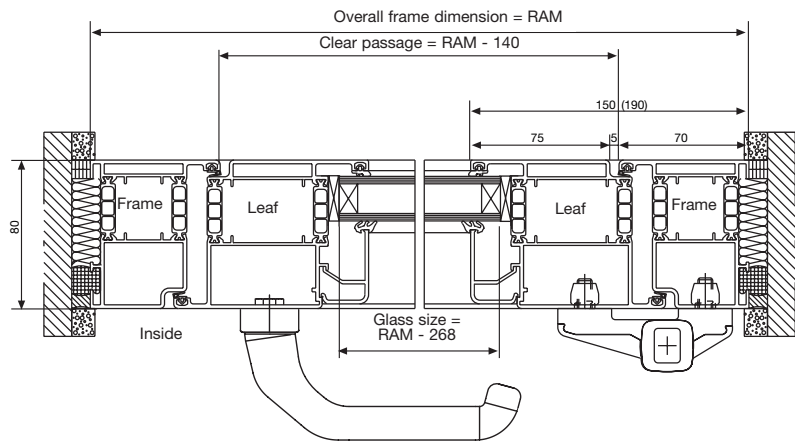
TopComfort



Dimensions apply to doors opening inwards.

The glass sizes specified apply only to the design illustrated!

For the standard threshold the floor threshold profile is removable in order to fit the door on the finished floor.



At a 90° opening angle, the clear passage is reduced to RAM - 214 mm due to the leaf overlap.

TopPrestige

